

OTIS SURVEY: FOR 17CT, 22CT, & 29CT MACHINES

WHEN NAMEPLATE INFORMATION IS NOT AVAILABLE

GENERAL INFORMATION

Project Name: _____

	Existing	New
Car Speed		
Car Capacity		
Motor HP		
Motor RPM		
Motor Voltage		
Motor AMPS		
Type (AC/DC Shunt/Compound)		
Motor MFG/Frame		
Type Number		

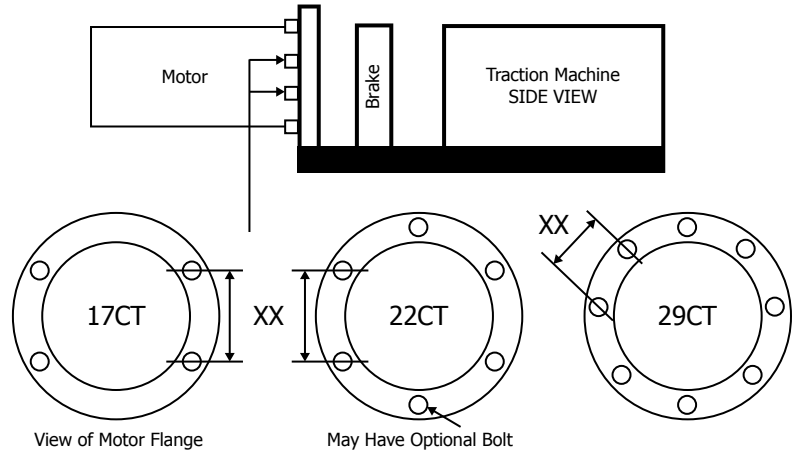
Standard Encoder: 1024PPR, (5-30)VDC, Channels A, B, Z, & Compliments

XX Approx. Measurement (Select One): 7.875" 9.875" 10.625"

Machine Type/No. of Bolts (Select One): 17CT 22CT 29CT

Existing Motor Type/Frame (Select One): 77L 89L 98L Other

Machine Location (Select One): Overhead Basement Side Mount



Note: XX Measurement will confirm the correct Otis CT machine.

Note: Frame size is required to confirm shaft diameter for 29CT.

Note: Optional Encoder Cable: 30', 40', 50', or other (pick one).



REULAND

888.964.6411

sales@reuland.com www.reuland.com

©2016 REULAND All rights reserved.

FLEXIBLE COUPLING SURVEY

WHEN NAMEPLATE INFORMATION IS NOT AVAILABLE

GENERAL INFORMATION

Project Name: _____

Machine Type & Style: _____

Existing Motor MFG, Speed, Frame, & Serial Number: _____

Existing Motor HP & Type (AC/DC Shunt Compound) _____

DIMENSIONS:

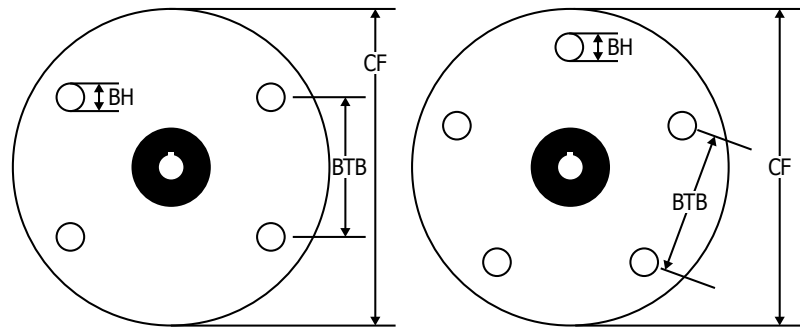
Coupling Flange Diameter: CF= _____

Number of Mounting Bolts: _____

Bolt Size: _____

Bolt Diameter: BH= _____

Center Bolt to Center Bolt: BTB= _____



NOTES
